

## Energy products

# Drain valve

## C423095, C423155

1/2-inch port, 24 vdc,  
solenoid operated



Meggitt's 1/2-inch direct solenoid operated drain valve is designed for use in fuel gas, air, and liquid control systems. This product offers a very high degree of reliability in fluid control systems.

### Specifications

<b>Function:</b>	Drain valve for turbine engines and other applications
<b>Physical size:</b>	5.75" diameter, 9.81" high
<b>Weight:</b>	30 pounds
<b>Pipe size:</b>	1/2 inch NPT
<b>Line pressure:</b>	0 to 1500 psi
<b>Fluid temperature:</b>	-40 to 400°F (800°, 10 seconds maximum, 0.2 pounds/min maximum)
<b>Ambient temperature:</b>	-40 to 212°F
<b>Electrical:</b>	
<b>Voltage:</b>	24 VDC nominal (20 to 28 VDC range), 1 ampere maximum at 25 VDC, continuous duty
<b>Position indicating switch:</b>	Normally closed, rated for 2.5 amperes, 28 VDC
<b>Leakage:</b>	ANSI class VI
<b>Fluids:</b>	423095 – Natural gas, air, diesel fuel, kerosene or naphtha 423155 – Natural gas, air or demineralized water

### Key features

- Fail-safe closed
- ANSI class IV leakage
- United States and Canada: Certified explosion proof, CSA/UL class 1, division 1, groups C and D, temp code T3, maximum ambient 100°C
- CE-ATEX certified explosion proof, Exd IIB, temp code T3, maximum ambient 100°C
- All steel materials for NACE 2002 compliance
- No maintenance required under normal conditions
- Direct acting design for high reliability
- Closed position indicating switch

## Meggitt Control Systems

**Our product competencies & services:**  
Aerospace valves | Thermal management solutions | Environmental control systems | Electro-mechanical products  
Ground fueling products | **Energy products** | Aftermarket services

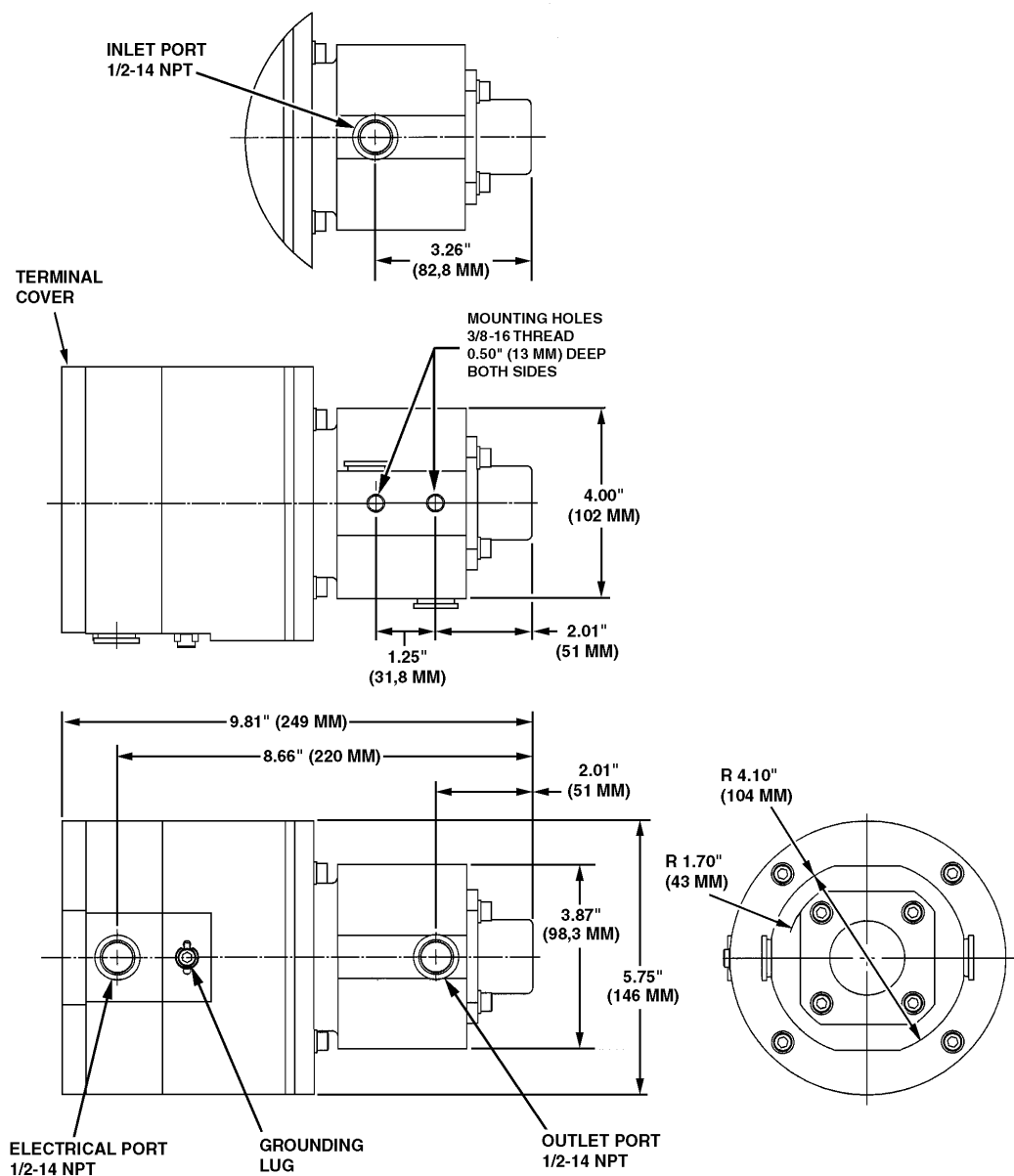
**MEGGITT**  
smart engineering for  
extreme environments

## Energy products

# Drain valve

## C423095, C423155

### Key dimensions



### Contact

#### Meggitt Controls

12838 Saticoy St  
North Hollywood  
California 91605-3505  
USA

Telephone: (818) 765-8160  
FAX: (818) 759-2194

[www.meggitt.com](http://www.meggitt.com)

## Meggitt Control Systems

#### Our product competencies & services:

Aerospace valves | Thermal management solutions | Environmental control systems | Electro-mechanical products  
Ground fueling products | **Energy products** | Aftermarket services

**MEGGITT**  
smart engineering for  
extreme environments